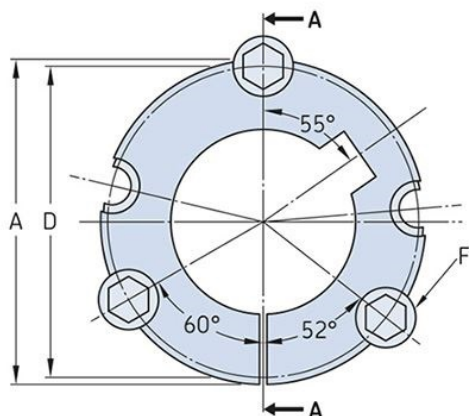


PHF TB3535X55MM



Bushing no.	TB3535
d = Bore diameter (mm)	55
Bore diameter (in)	2.17
Keyway width (mm)	16
Keyway width (in)	0.63
Keyway depth (mm)	4.3
Keyway depth (in)	0.17
A (mm)	127
A (in)	5
B (mm)	89
B (in)	3.5
D (mm)	123
D (in)	4.84
E (mm)	-
E (in)	-
F (mm)	12.700 x 38.10
F (in)	-
Weight (kg)	5.49
Weight (lbs)	12.1